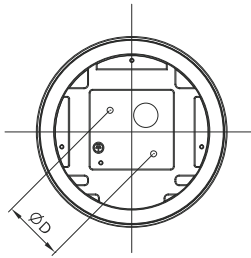
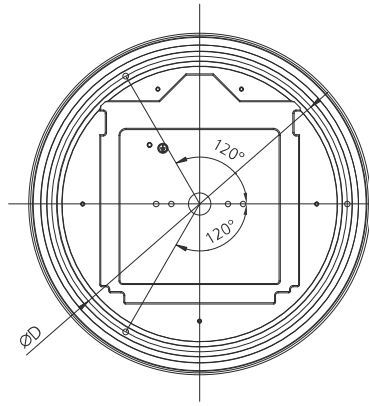


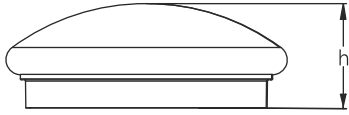
d = 180mm 6W  
 d = 250mm 12W  
 d = 330mm 18W  
 d = 360mm 24W



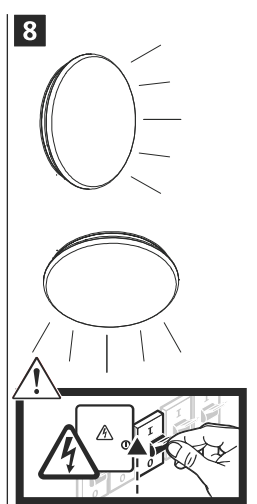
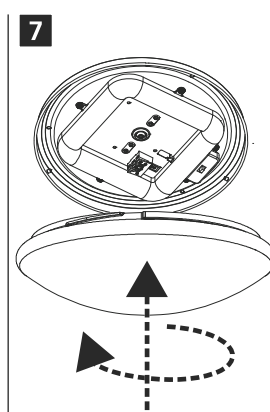
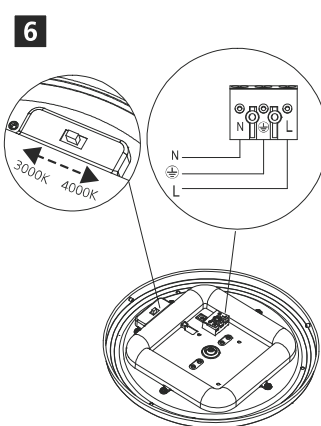
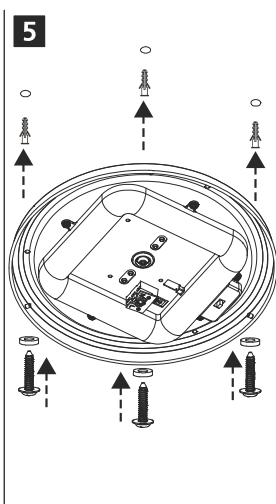
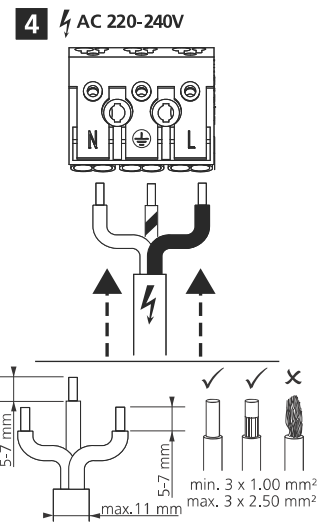
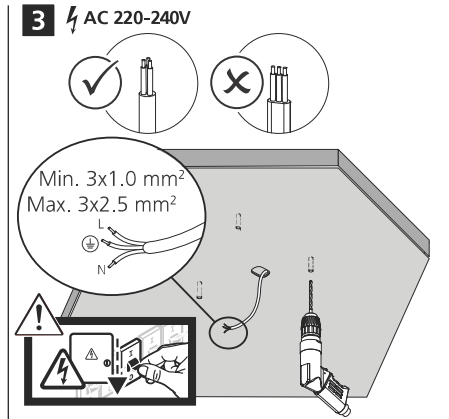
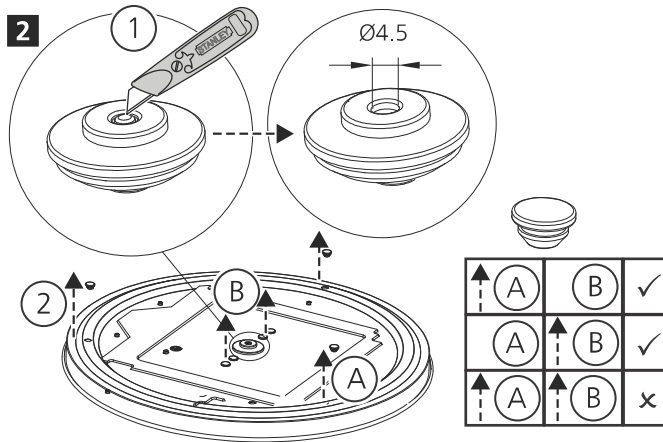
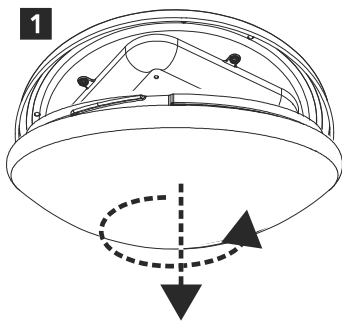
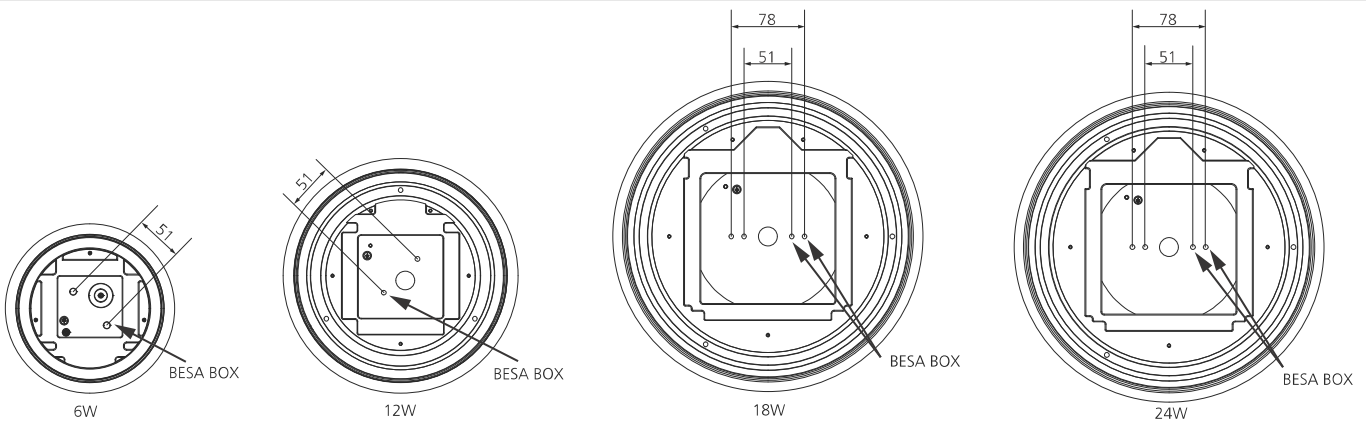
D=51mm 6W



D = 182 mm 12W  
 D = 265 mm 18W  
 D = 265 mm 24W



h = 75mm 6W  
 h = 80mm 12W  
 h = 96mm 18W  
 h = 100mm 24W



|            | 6W (pcs) | 12W (pcs) | 18W (pcs) | 24W (pcs) |
|------------|----------|-----------|-----------|-----------|
| 10A C-type | 60       | 60        | 39        | 30        |
| 16A C-type | 96       | 96        | 62        | 48        |